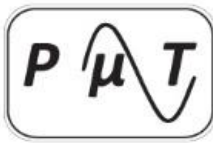
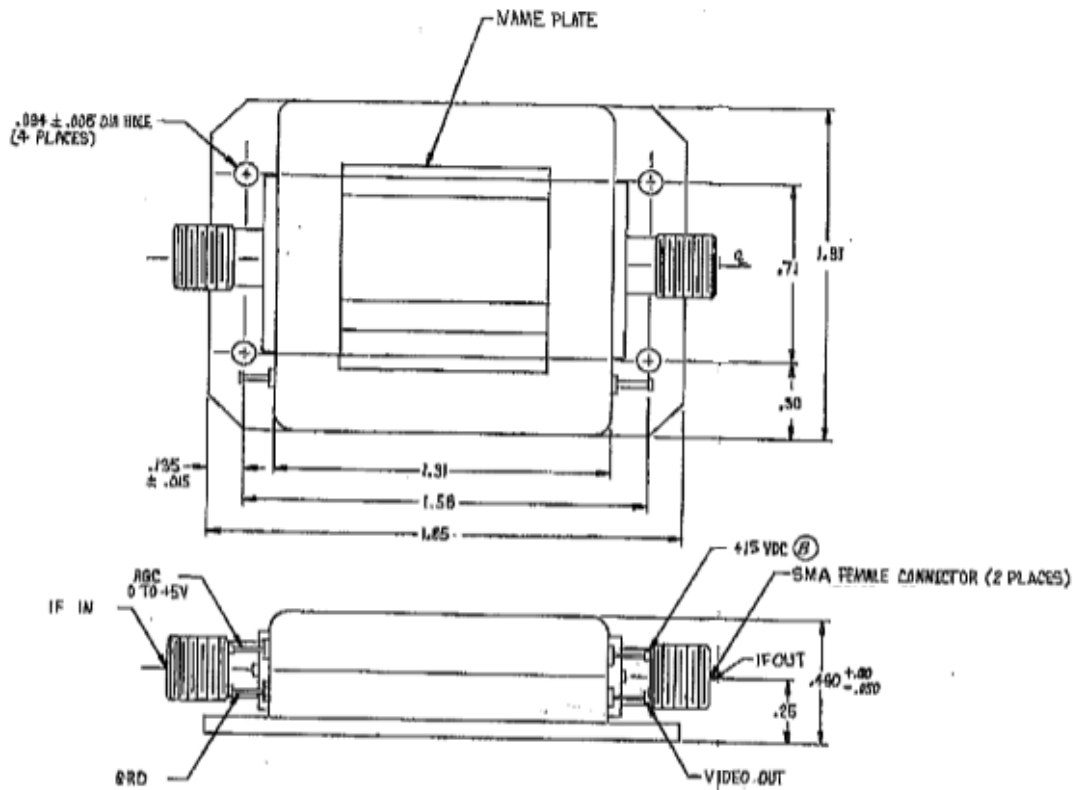


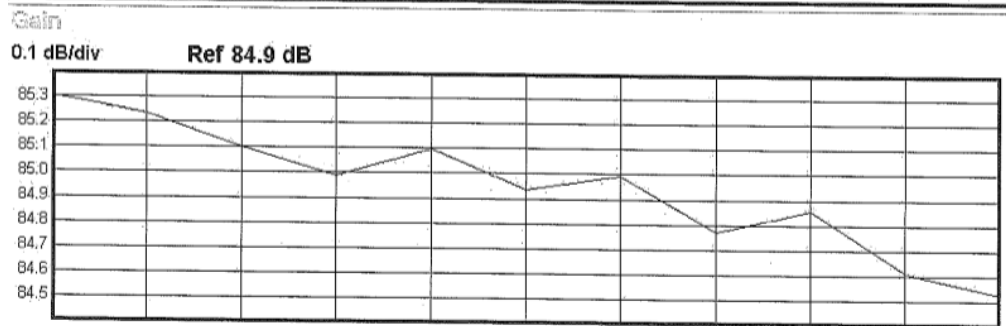
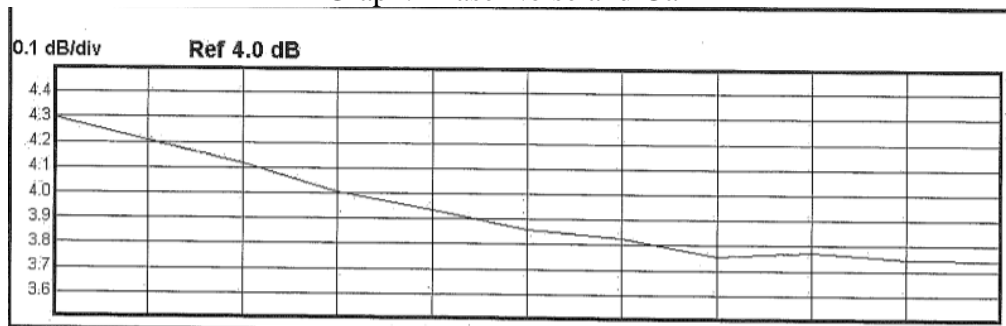
| | | | |
|--|--|---|---------------|
| AMPLIFIER 60 MHz Small Footprint | | PmT Amplifier Model: PmT-NSN-60 MHz | |
| FEATURES: <ul style="list-style-type: none"> ■ Low Noise Figure ■ Sealed Module ■ Broadband Performance ■ Excellent Unit-to-Unit Repeatability ■ -50°C to 100°C Standard ■ RoHS Compliant | | | |
| Typical Electrical Specifications (TA=25C) | | | |
| Parameters | | Specifications | |
| Center Frequency | | 60 MHz | |
| Bandwidth, min | | 10 MHz | |
| Noise Figure, max | | 4.5 dB | |
| Gain | | 80 dB | |
| Power Out (1dB) | | 15 dBm | |
| Input dynamic Range with AGC | | 60 dB | |
| Input dynamic Range without AGC | | 20 dB | |
| Video Out | | 1 V across 1K | |
| Detector BW | | 4MHz | |
| AGC Range | | 40 dB | |
| AGC Volts | | 0 to +5 V | |
| Max IF Input | | (-25) dBm | |
| Supply Current | | 120 mA | |
| Voltage | | 15 V | |
| Operating Temperature | | -25 °C to 70 °C | |
| Storage Temperature | | -55 °C to 125 °C | |
| Test Data | | | |
| Center Frequency | | 60 MHz | 60 MHz |
| Bandwidth, min | | 50 MHz | 50 MHz |
| Noise Figure, max | | 4.3 dB | 4.3 dB |
| Gain | | 83 dB | 85 dB |
| Power Out (1dB) | | 15 dBm | 15 dBm |
| Input dynamic Range with AGC | | 60 dB | 60 dB |
| Input dynamic Range without AGC | | 20 dB | 20 dB |
| Video Out | | 1 V across 1K | 1 V across 1K |
| Detector BW | | 4MHz | 4MHz |
| AGC Range | | 40 dB | 40 dB |
| AGC Volts | | 0 to +5 V | 0 to +5 V |
| Max IF Input | | (-25) dBm | (-25) dBm |



Outline:



Graph: Phase Noise and Gain



Start 40.0000 MHz Stop 80.0000 MHz